

evonicfires

quality electric fires built in britain

MODEL(S): e1800 / e1560 / e1500 / e1030 / e1000 / e900 / e810 / e800 / e710 / e700 / e640 / e600 / e500

IMPORTANT SAFETY INFORMATION:

Always read this manual first before attempting to install or use this fireplace. For your safety, always comply with all warnings and safety instructions contained in this manual to prevent personal injury or property damage.

Please note: This product is only suitable for well insulated spaces or occasional use.



E-Series-180724

IMPORTANT INSTRUCTIONS:

Please read these instructions before installation or use and keep this booklet handy for future reference.

All Evonic fires products meet the requirements of the EC Directives.

These directives have been met by compliance with the following standards:

EN 55014-1:2006 + A2:2011 Electromagnetic compatibility.

EN 55014-2:2015 Electromagnetic compatibility.

EN 61000-3-2:2014 Electromagnetic compatibility (EMC). Limits. Limits for harmonic current emissions

EN 61000-3-3:2013 Electromagnetic compatibility (EMC). Limits. Limitation of voltage changes, voltage fluctuations and flicker

EN 60335-1:2012 + A1:2014

EN 60335-2-30:2009+A11:2012

Safety:

This appliance can be used by children aged from 8 years and above and persons with reduced physical, sensory or mental capabilities or lack of experience and knowledge if they have been given supervision or instruction concerning use of the appliance in a safe way and understand the hazards involved. Children shall not play with the appliance. Cleaning and user maintenance shall not be made by children without supervision

The instructions shall state that the heater must not be located immediately below a socket outlet.

WARNING: in order to avoid overheating, do not cover the heater.

Children of less than 3 years should be kept away unless continuously supervised

Children aged from 3 years and less than 8 years shall only switch on/off the appliance provided that it has been placed or installed in its intended normal operating position and they have been given supervision or instruction concerning use of the appliance in a safe way and understand the hazards involved. Children aged from 3 years and less than 8 years shall not plug in, regulate and clean the appliance or perform user maintenance.

CAUTION: Some parts of this product can become very hot and cause burns. Particular attention has to be given where children and vulnerable people are present

CAUTION: In order to avoid a hazard due to inadvertent resetting of the thermal cut-out, this appliance must not be supplied through an external switching device, such as a timer, or connected to a circuit that is regularly switched on and off by the utility

CAUTION: The LED light system shall be replaced by electrically competent personnel only (LP – These cannot be user replaceable since they will allow access to live parts)

General Warnings:

- Never** leave children unsupervised with an unguarded heater.
- Never** obstruct or cover the heater outlet.
- Never** install or use this product where it may come in contact with water i.e. a bathroom or wet room.
- Never** use aerosols or steam cleaners near this product.
- Never** route the electric cable near the heater outlet.
- Never** route the electric cable under carpets or floor coverings.
- Never** install this product close to curtains or combustible materials.
- Never** Use the heater to dry clothes or other objects.
- Never** remove the fireplace surrounding without isolating the electric supply.

Important electrical safety:

This appliance must never be installed above or in front of a fixed electric socket.

The electrical socket must be easily accessible to isolate the supply during maintenance and cleaning.

This appliance is supplied with a two meter power lead, which has a 13Amp moulded three pin plug to connect to a standard 230/240V plug socket.

This appliance must always be earthed. If in any doubt consult a suitably competent person.

Replacement plug: (Please note that it will invalidate your warranty if the moulded plug is removed and connected to a fused spur by an unqualified person).

This appliance must only be connected to a 230/240 Volts AC 50Hz supply. Before connecting the fire, check that the supply voltage is the same as stated on the fire.

This appliance must only be used on a AC supply, fuse rating 13Amp.

The wires in the mains lead are coloured in accordance with a standard UK supply, these being:

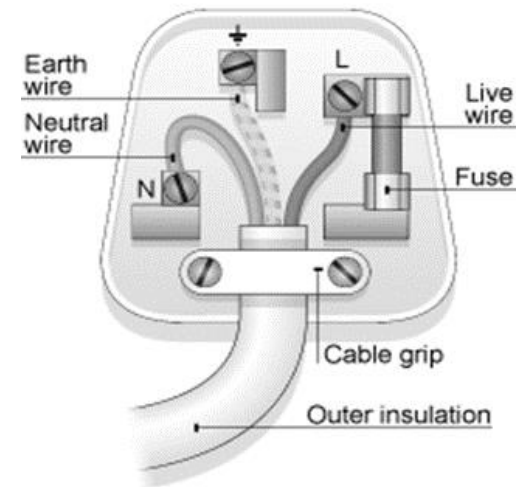
GREEN/YELLOW – EARTH

BLUE – NEUTRAL

BROWN – LIVE

As the colours of the mains lead of this appliance may not match the coloured markings used to identify the terminals in a plug, please observe the following (**Fig:1**).

- The green and yellow wire must be connected to the terminal in the plug which is marked with the letter **E** or Earth symbol.
- The blue wire must be connected to the terminal in the plug which is marked with the letter **N**.
- The brown wire must be connected to the terminal in the plug marked with the letter **L**.
- Replace fuses only with fuses of the correct size and rating.



INSTALLATION METHOD:

This product has been designed to be installed into a plaster board, or existing masonry chimney breast.

Please note that any GF2 models from the e-series range are not suitable to be installed into a existing chimney breast.

Please seek advice from a professional, with reference to the structural integrity of the installation site.

if the products is to be installed into a open chimney or flue, it is important that the chimney/flue is blocked off to prevent any up/down draughts and falling debris which could restrict and alter the airflow to the product.

It is also important to ensure that the product has a minimum internal clearance directly above and below the product of 50mm, this is to ensure that the product can circulate the required airflow for the heater unit.

The product should never be sealed into a opening with the use of silicones or adhesives as this can also alter the airflow and hinder any further servicing of the product.

Installing Product:

Each E-Series product is supplied complete with one or more wall mounting brackets. (Dependent on Model)

Establish the desired finished height from floor level to the bottom of the plaster kit of the product.

Fix the wall bracket to the wall ensuring to use the correct hardware fixings given the wall construction, Plaster board or Solid Wall.

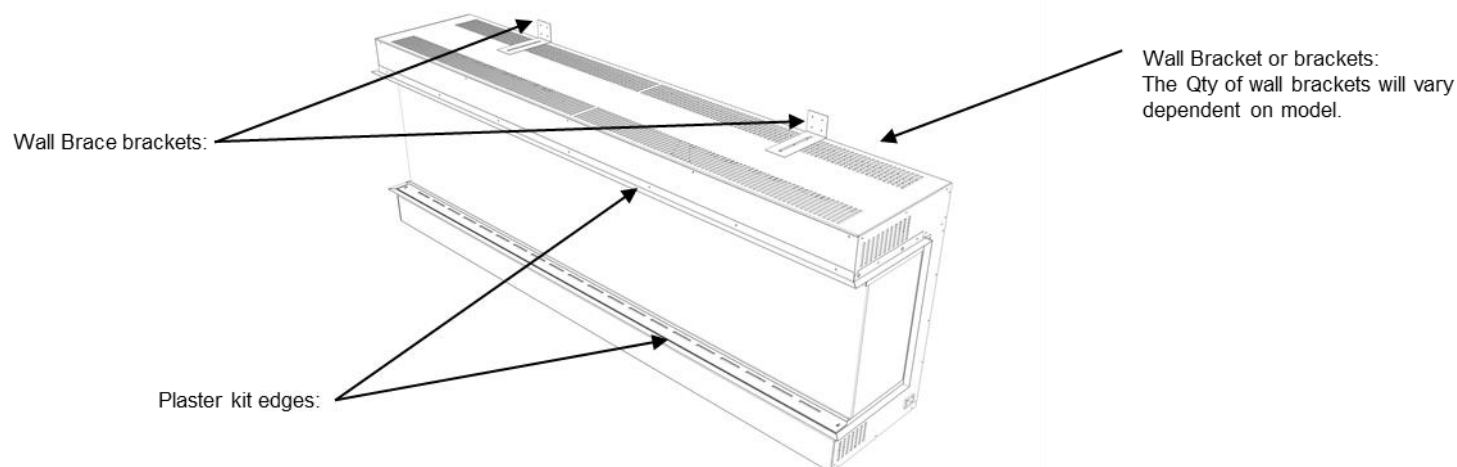
Lift and hook the product onto the wall bracket and secure using the wall brace brackets.

Once the product is secured to the wall and connected to the power supply, the false construction such as plaster board wall or chimney breast can be formed around it.

It is important to allow for the finished face board when setting the depth of the frame construction.

It is essential to include header/Lintel at the required height to ensure the appliance does not support the weight of the finished wall.

Prepare the Cut-Out in the Plaster-board or Finishing Board, and install ensuring that the plaster kit edges are fitting to the inside of the Cut-out of the board.



Please see Figure 1: as a example of a installation.

Please refer to technical specification table for further information, with reference aperture measurements.

Model	W	D	H
e500	530mm	305mm	610mm
e600	690mm	185mm	640mm
e640	508mm	185mm	845mm
e700	680mm	185mm	480mm
e710	760mm	185mm	790mm
e800	835mm	305mm	790mm
e810	866mm	305mm	1209mm
e900	886mm	185mm	695mm
e1000	1055mm	185mm	475mm
e1030	1065mm	305mm	560mm
e1500	1565mm	305mm	560mm
e1560	1566mm	305mm	810mm
e1800	1785mm	305mm	615mm

The above table contains the **minimum** opening sizes required to house the product.

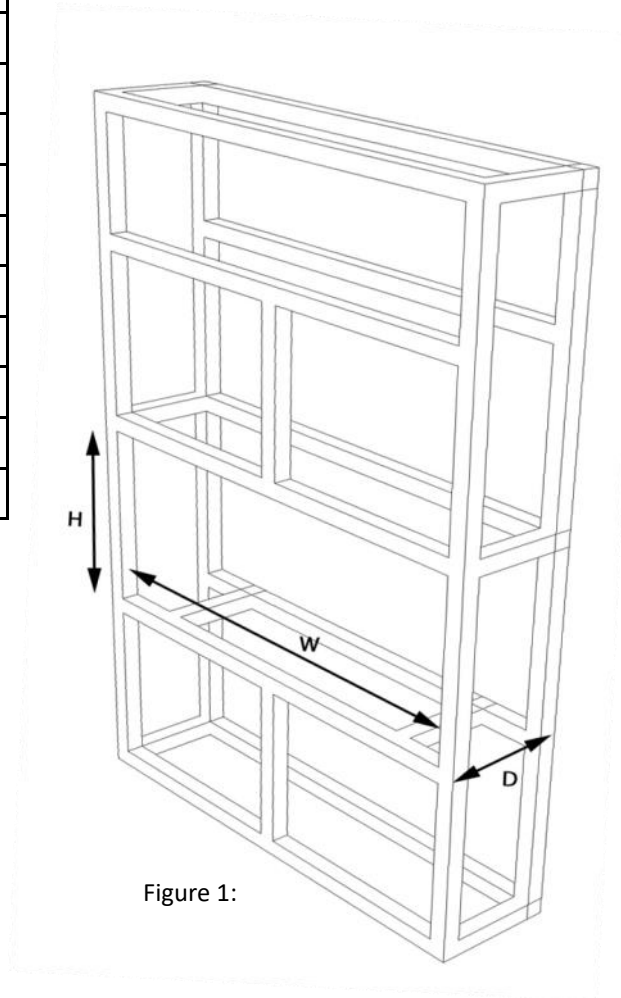
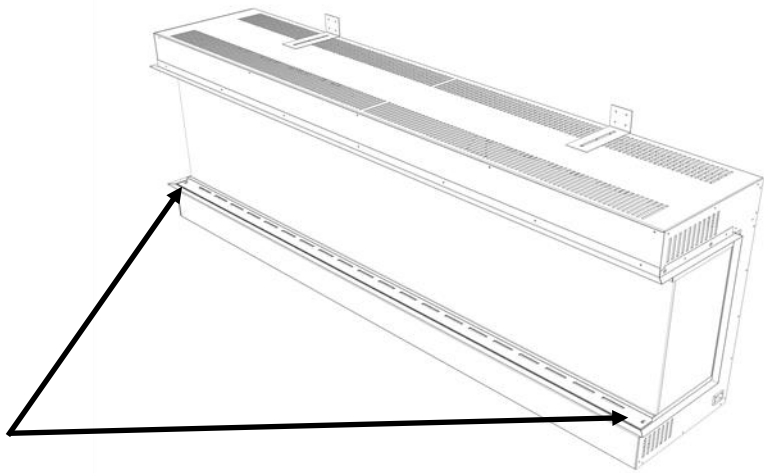


Figure 1:

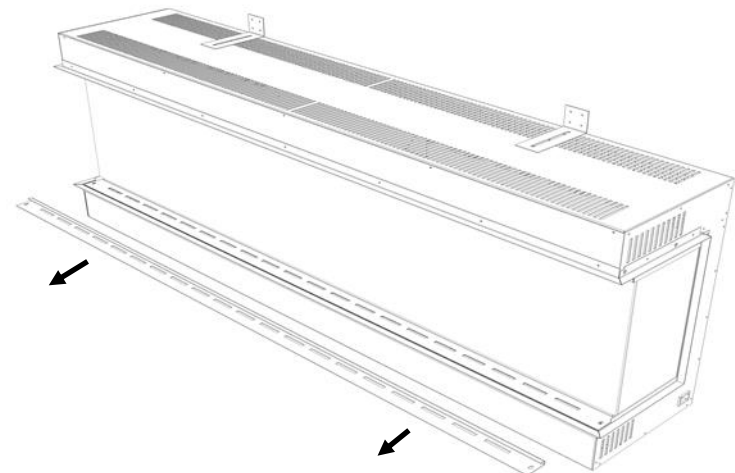
Model	W	D	H
e500	495mm	305mm	400mm
e600	637mm	185mm	455mm
e640	460mm	185mm	655mm
e700	640mm	185mm	285mm
e710	710mm	185mm	607mm
e800	802mm	305mm	590mm
e810	810mm	305mm	1003mm
e900	836mm	185mm	492mm
e1000	1003mm	185mm	275mm
e1030	1003mm	305mm	355mm
e1500	1505mm	305mm	355mm
e1560	1509mm	305mm	605mm
e1800	1750mm	305mm	410mm

The below table contains the final **finished** opening sizes once the product has been installed.

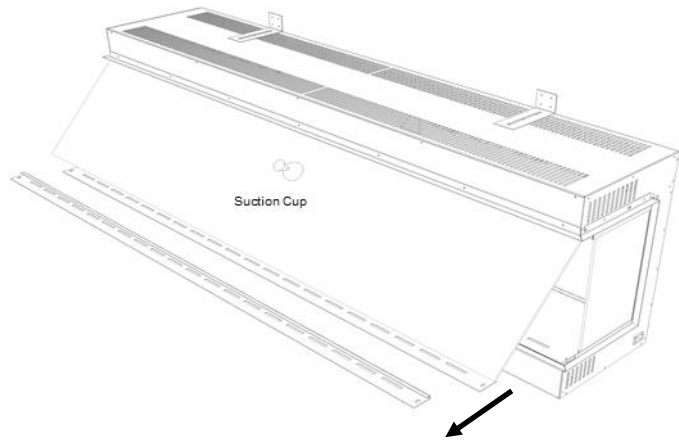
Glass Removal:



1. Remove the two screws located in the bottom glass retaining bar.



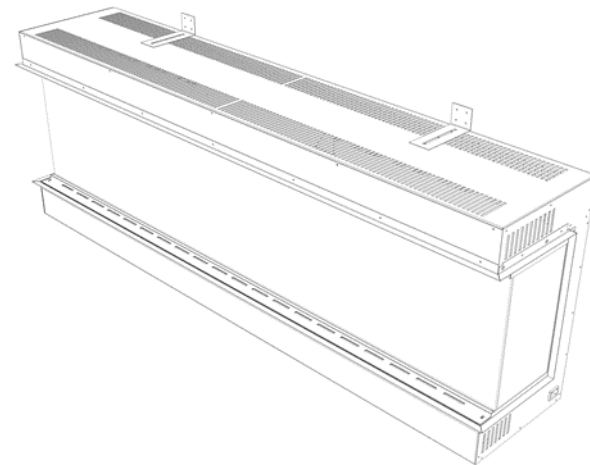
2. Remove the bottom glass retaining bar.



3. Remove the glass by pulling the second retaining bar away from the body of the fire, ensure that the glass is supported at all times. A suction cup has been provided to help aid this step.

(Please note the suction cup is provided for support only, not to hold the full weight of the glass).

(Please note: it is recommended that this step is carried out by two persons on E60gf/2/3 & E70gf/2/3 models).

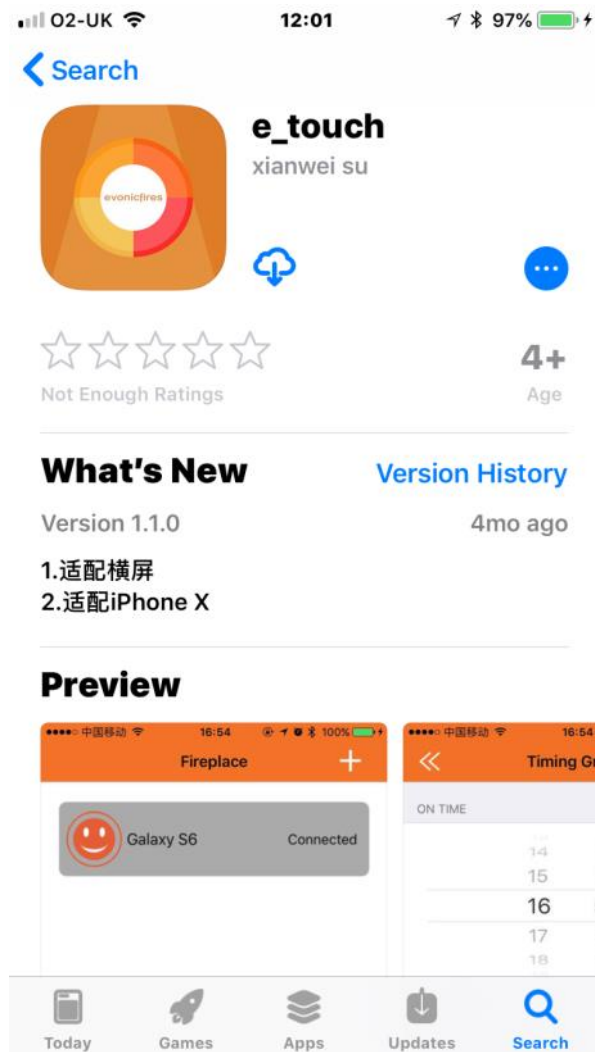


4. Place the log set as stated and replace the glass by reversing steps 3. to 1.

The Appliance is operated using the E-Touch App Control.

The App Control can be used on either OS or Android operating systems.

To obtain the App please visit either the OS App Store Or Google Play and follow the on screen instructions.



Screen shot taken from Apple App Store.



Home Screen shot taken from E-Touch App

Product Operation:

The appliance is operated by the e-touch App, the main standby power switch to the e-series product is located to the right of the heater outlet, which is marked with a light bulb image, to activate the product, this switch must be switch to the “ON” position.

The first time the e-series product is activated both the illumination and heater will function, to switch the heater “Off” simply reduce the Room Temperature down to 10 degrees on the App control.

BUILT IN MODELS:

This product has been designed to be installed into a studwork or existing chimney breast.

Please note that any GF2 models from the e-series range are not suitable to be installed into a existing chimney breast.

Please seek advice from a professional, with reference to the structural integrity of the installation site.

If the products is to be installed into a open chimney or flue, it is important that the chimney/flue is blocked off to prevent any up/down draughts and falling debris which could restrict and alter the airflow to the product.

It is also important to ensure that the product has a minimum internal clearance directly above and below the product of 100 mm, this is to ensure that the product can circulate the required airflow for the heater unit.

The product should never be sealed into a opening with the use of silicones or adhesives as this can also alter the airflow and hinder any further servicing of the product.

Please refer to technical specification table for further information, with reference to measurements.

(Heater unit cut-out) (This is a safety feature, to safe guard against further damage to the product).

If the airflow is restricted the heater will automatically turn off. This is can occur due to incorrect installation or obstruction.

To reset the heater function:

- isolate from the mains power supply.
- Leave product to cool.
- After a suitable cooling down period, remove the obstruction if obstructed, and check installation.
- After 10 minutes the thermo switch (cut-out) in the heater will reset.

Please note that both the effect fan and heater fan omit a low decibel noise, both of which are normal operating characteristics.



LOG SET

LOG

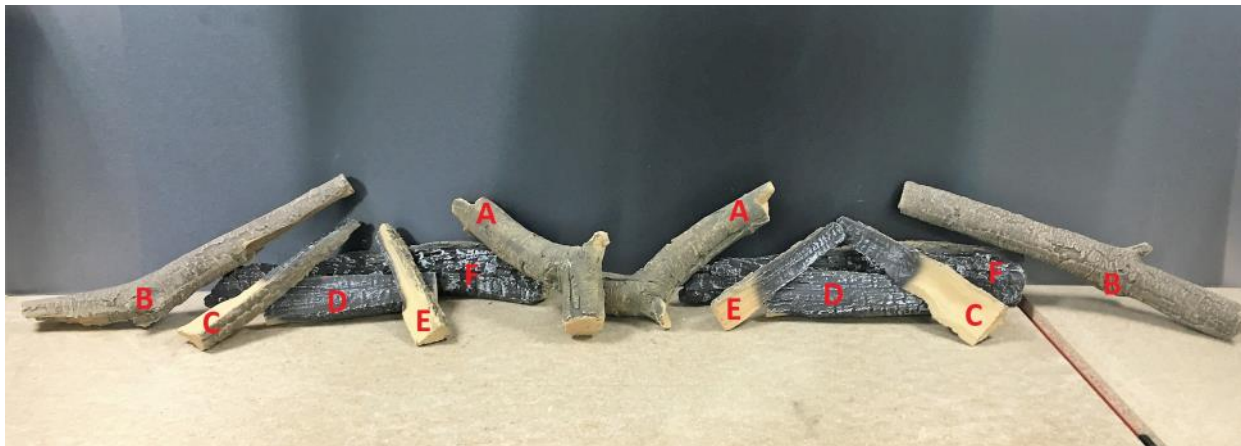
LENGTH

A	260MM
B	370MM
C	230MM
D	185MM
E	190MM
F	390MM

Please Note: The images shown are suggested Log layouts, the log sets can be arranged to personal preference.



e1000/1030 —LOG LAYOUT



e1500/1800 —LOG LAYOUT

Problem solving

- No power to the fire: Check the wall socket, plug and fuse.
- No illumination: Make sure the fire is turned on. Check heater is working, if so check that the dimmer control is set to full on the e-touch app/e-touch controller.
- Illumination but no heat: The safety cut has operated see note on operating the Fire.
- Noise when illuminated: Due to moving parts, the electric fire will make a noise.
- Noise from the heater when in use: The sound of rushing air is normal.

Registering product:

To register a product please visit: www.evonicfires.co.uk and complete the fields required under the **Register a Product Section**.

Report a fault:

If a product is encountering a fault with the operation and a Service Engineer is required, Please visit: www.evonicfires.co.uk and complete the fields required under the **Report a Fault Section**.

Conditions of warranty:

If this appliance should prove to be defective due to faulty design, materials or workmanship within 12 months of purchase, the product will be repaired free of charge, subject to the following conditions:

The electric fire shall have been purchased and used solely within the UK and Ireland for domestic purposes and in accordance with the Users operating instructions.

It is the purchasers responsibility to prove that the unit is under warranty, e.g. receipt of purchase.

All warranties, will be invalidated if unauthorised repairs or modifications are made to the electric fire, or in case of accident, misuse or damage caused by improper installation, or to damage occurring during transit to or from the repairer and altered or missing serial numbers.

Any parts, which have been replaced under this warranty, shall become our property.

CK Fires Ltd / Evonic Fires
1 Evonic house, Clifford park, Clifford lane, Stratford-Upon-Avon, CV37 8HW
Tel: +44 (0) 1789 263868 Fax: +44 (0) 1789 293080
Email: sales@evonicfires.co.uk — Follow us on Twitter [@evonicfires](https://twitter.com/evonicfires) 