

# // NEW FOREST 650SQ ELECTRIC FIRE

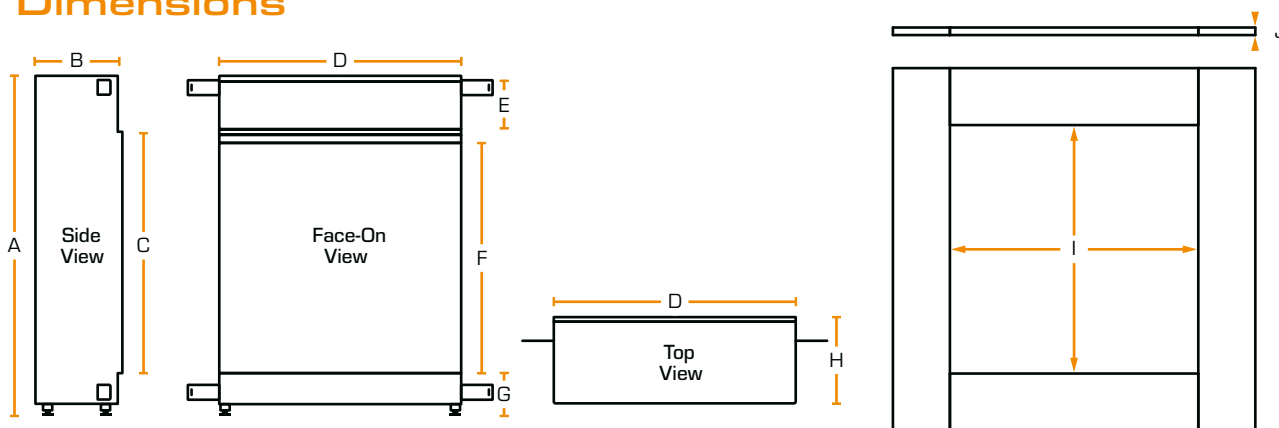
## Information Sheet



// Suite Install



### Dimensions



A 911.0mm    B 222.0mm    C 652.0mm    D 652.0mm  
 E 150.0mm    F 620.0mm    G 109.0mm    H 234.0mm

**Slips**  
 I 654.0mm    J 20.0mm

### Tech Specs

|                 |              |               |        |           |      |
|-----------------|--------------|---------------|--------|-----------|------|
| Heat output:    | 1260-1500 W  | Rating power: | 50 Hz  | Lighting: | LED  |
| Supply voltage: | 220-240 V AC | Fuse rating:  | 13 Amp | Weight:   | 35kg |

