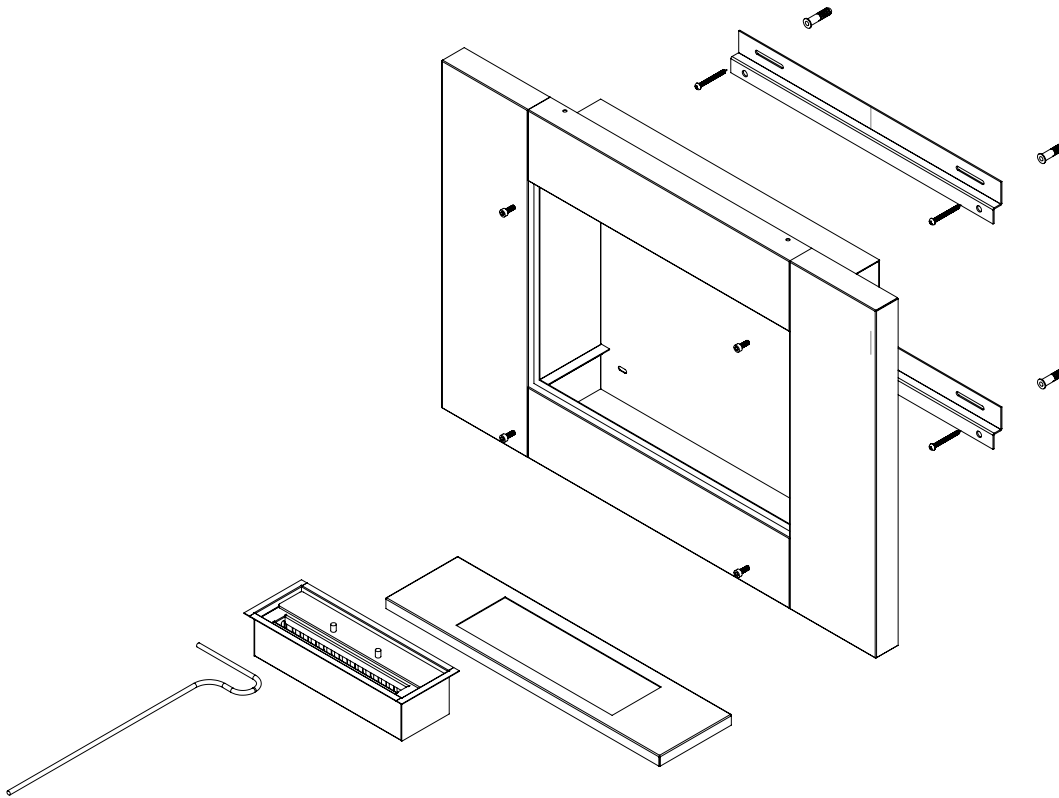




BIO-10-030



TECHNICAL SPECIFICATIONS

Type	Wall-mounted bioethanol fireplace
Size	Height: 540 mm / Width: 780 mm / Depth: 145 mm
Materials	Steel
Weight	14 kg.
Burner	Adjustable Manuel Burner (Burner width: 285 mm / Flame width: 180 mm)
Capacity	1 Liter
Usage	Approx 0.18 L/h - Up to 5h15m per filling
Fuel	Bioethanol (Recommended 96,6% alcohol)
Colour	Black and steel
Heat Output	2,17 kW
Electricity	No