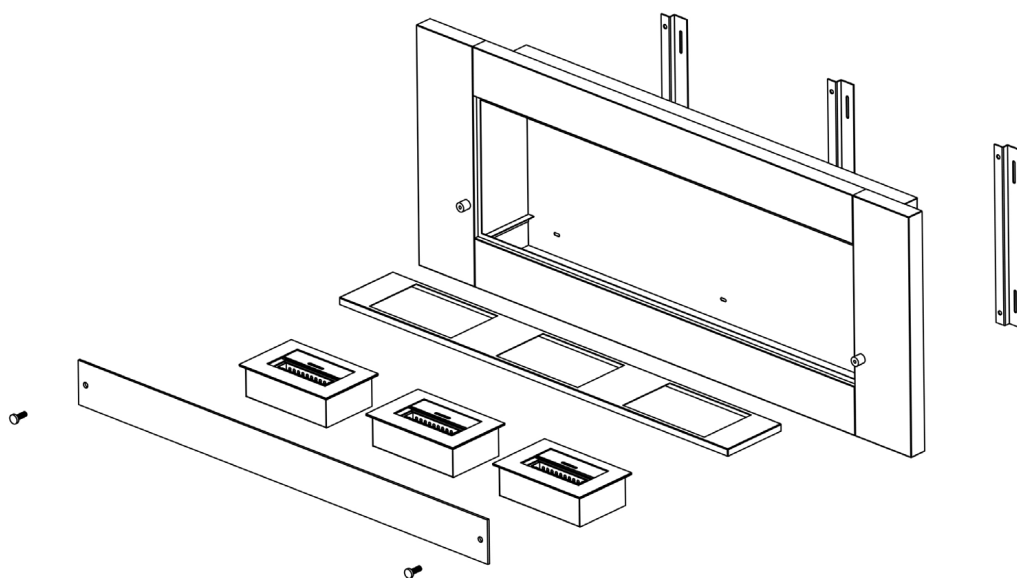




## BIO-10-042



### TECHNICAL SPECIFICATIONS

Type	Wall-mounted bioethanol fireplace
Size	<b>Height:</b> 800 mm / <b>Width:</b> 480 mm / <b>Depth:</b> 200 mm
Materials	Steel and glass
Weight	19 kg.
Burner	Adjustable Manuel bioethanol burner (Burner width: 285 mm / Flame width: 180 mm)
Capacity	1,0 Liter
Usage	Approx 0.18 L/h - Up to 5h15m per filling
Fuel	Bioethanol (Recommended 96,6% alcohol)
Colour	Black and steel
Heat Output	2,17 kW
Electricity	No