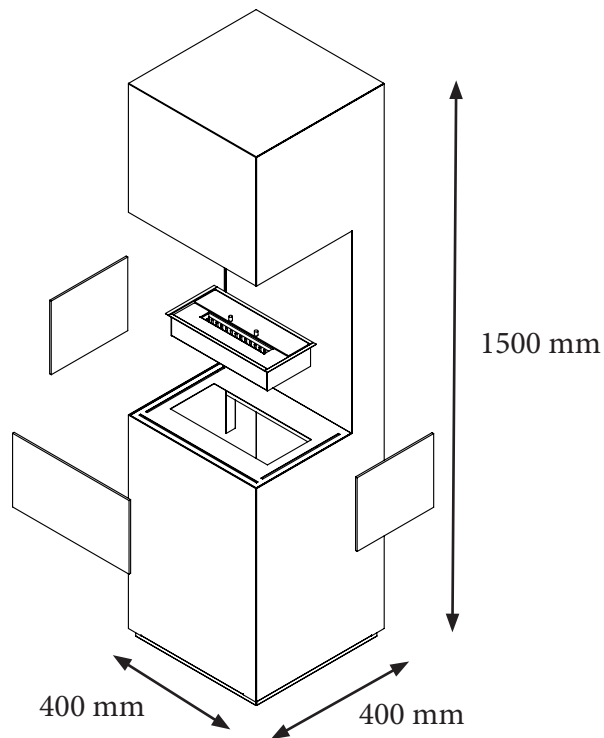




BIO-20-274



TECHNICAL SPECIFICATIONS

Type	Freestanding Bioethanol Fireplace
Size	Height: 1500 mm / Width: 400 mm / Depth: 400 mm
Materials	Steel and glass
Weight	Approx. 32,5 kg.
Burner	Adjustable manuel bioethanol burner (Burner width: 320 mm / Flame width: 240 mm)
Capacity	1,5 Liter
Usage	Approx 0,24 L/h - Up to 6 hours per filling
Fuel	Bioethanol (Recommended 96,6% alcohol)
Colour	Black
Heat Output	2,17 kW
Electricity	No