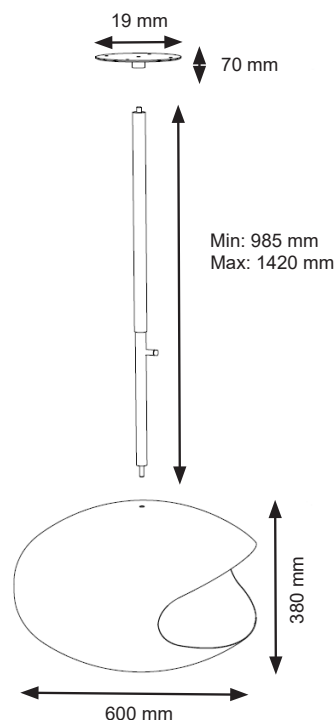




Aeris

Cocoon Fires



TECHNICAL SPECIFICATIONS

Type	Ceiling Mounted Bioethanol Fireplace
Size	Shell: Diameter: 600 mm / Height: 380 mm Extension bar (adjustable): Height 985, 1075, 1165, 1255, 1345, 1420 mm
Materials	Carbon steel and stainless steel
Weight	Approx. 24 kg
Burner	Adjustable manual bioethanol burner
Capacity	1.5 Liter
Usage	Approx. 0.30 L/hour - Max 5h00m per filling
Fuel	Bioethanol (Recommended 96,6% alcohol)
Colour	Polished steel shell, extension bar and mounting bracket
Heat Output	3.0 kW
Electricity	No